



## Factory Set-Up Recommendations

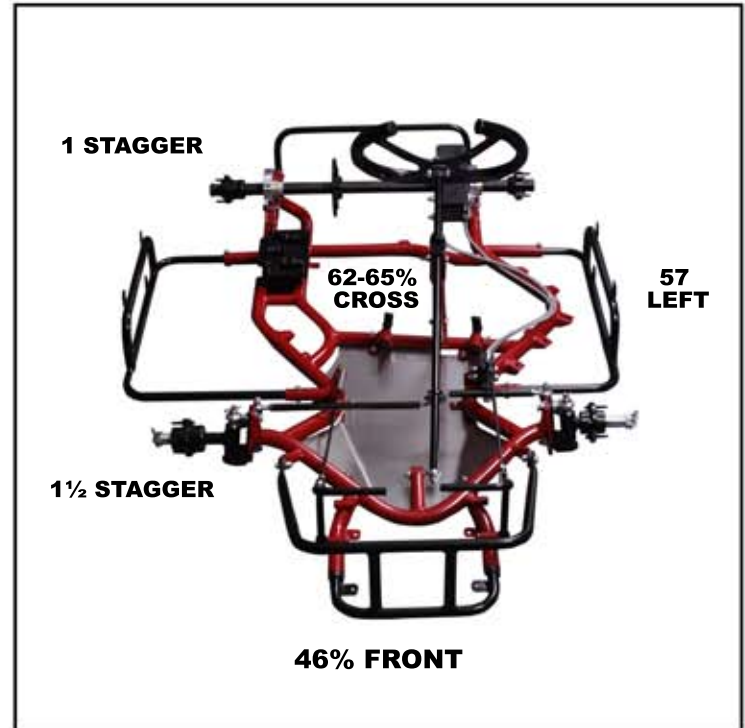
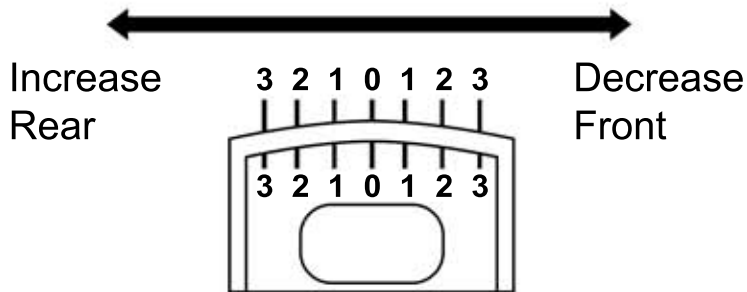
### Camber Adjustments

Left Front  $\frac{1}{2}^{\circ}$

Right Front  $-3^{\circ}$

### Caster Adjustments

When center lines are aligned, caster is standard. When aligned with its matching line, each succeeding line will increase or decrease caster by  $1^{\circ}$  up to  $3^{\circ}$  total.



**2223 Platt Springs Rd  
West Columbia, SC 29169  
(803) 794-7247**