



EXCEL

Factory Set-Up Recommendations

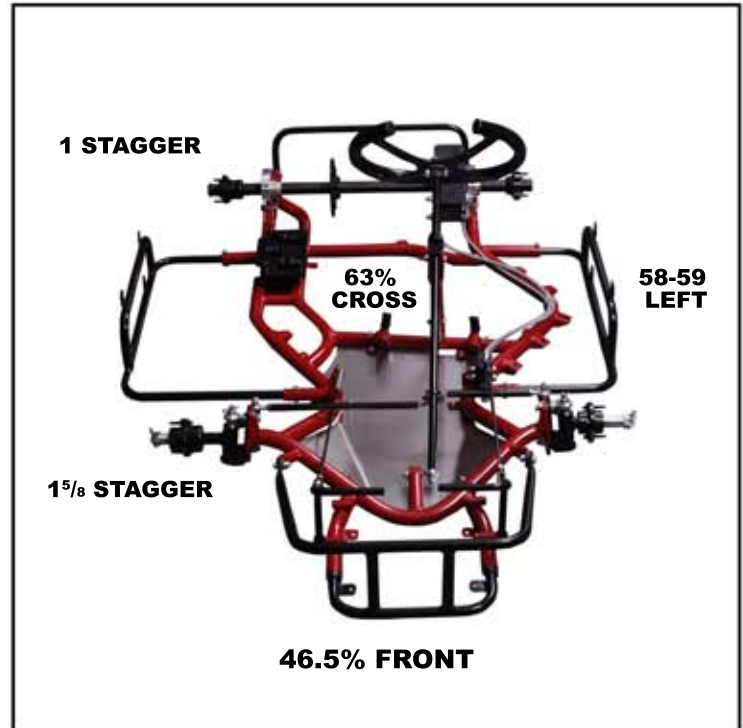
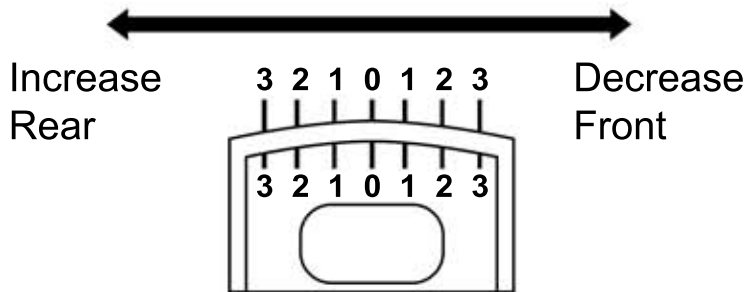
Camber Adjustments

Left Front $\frac{1}{4}^{\circ}$

Right Front $-2\frac{1}{2}^{\circ}$

Caster Adjustments

When center lines are aligned, caster is standard. When aligned with its matching line, each succeeding line will increase or decrease caster by 1° up to 3° total.



**2223 Platt Springs Rd
West Columbia, SC 29169
(803) 794-7247**